



innovation in power

Installation Instructions

U-Frame Solar Modules

Glass-film high performance modules

Mxxx-60-x U35(b)
Mxxx-HC120-x U35(b)
Mxxx-60-x U40(b)
Mxxx-HC120-x U40(b)

Glass-glass high performance modules

Mxxx-60-x GG U30(b)
Mxxx-HC120-x GG U30(b)
Mxxx-60-x GG U40(b)
Mxxx-HC120-x GG U40(b)

Index

1. Fixation with Clamping System	2
1.1 Horizontal Carrier Section	2
1.2 Vertical Carrier Section	3
2. Fixation with Insertion System	4

Support

For any questions please contact the technical support:



Megasol Energy Ltd.

Hotline +41 62 919 90 90

E-Mail info@megasol.ch

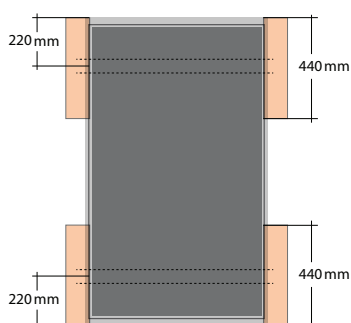
www.megasol.ch

1. Fixation with Clamping System

 Areas approved for fastening
 Carrier section

1.1 Horizontal Carrier Section

Portrait orientation I

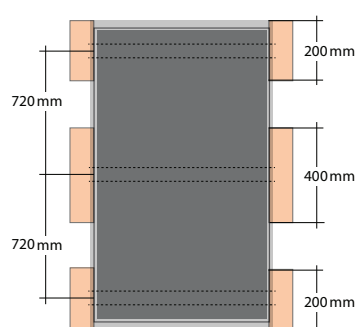


Fastening area: **long sides**
 Fastening points: **4**

		U35	U40	GG U30	GG U40
Max. wind suction	[N/m ²]	2400	5400	5400	5400
Max. snow pressure	[N/m ²]	2400	5400	5400	5400

according to IEC/EN 61215 2nd Ed.

Portrait orientation II



Fastening area: **long sides**
 Fastening points: **6**

		U35	U40	GG U30	GG U40
Max. wind suction	[N/m ²]	5400	5400	5400	5400
Max. snow pressure	[N/m ²]	5400	5400	5400	5400

according to IEC/EN 61215 2nd Ed.

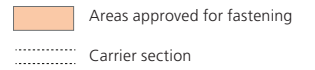
Landscape orientation



Fastening area: **short sides**
 Fastening points: **4**

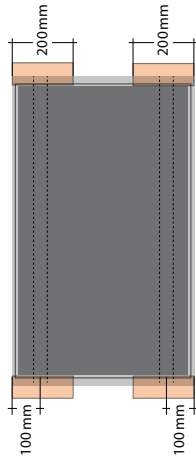
		U35	U40	GG U30	GG U40
Max. wind suction	[N/m ²]	2400	2400	2400	2400
Max. snow pressure	[N/m ²]	2400	2400	2400	2400

according to IEC/EN 61215 2nd Ed.



1.2 Vertical Carrier Section

Portrait orientation

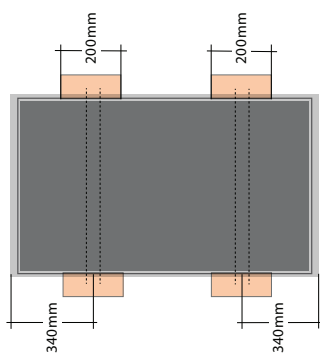


Fastening area: **short sides**
 Fastening points: **4**

	U35	U40	GG U30	GG U40
Max. wind suction [N/m ²]	2400	2400	2400	2400
Max. snow pressure [N/m ²]	2400	2400	2400	2400

according to IEC/EN 61215 2nd Ed.

Landscape orientation I

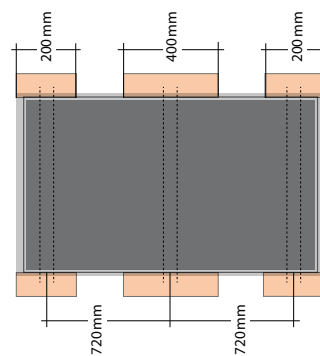


Fastening area: **long sides**
 Fastening points: **4**

	U35	U40	GG U30	GG U40
Max. wind suction [N/m ²]	2400	5400	5400	5400
Max. snow pressure [N/m ²]	2400	5400	5400	5400

according to IEC/EN 61215 2nd Ed.

Landscape orientation II



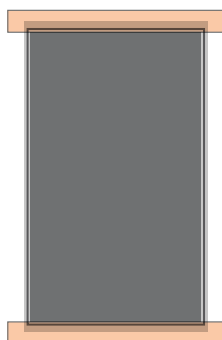
Fastening area: **long sides**
 Fastening points: **6**

	U35	U40	GG U30	GG U40
Max. wind suction [N/m ²]	5400	5400	5400	5400
Max. snow pressure [N/m ²]	5400	5400	5400	5400

according to IEC/EN 61215 2nd Ed.

2. Fixation with Insertion System

Portrait orientation



Fastening area: **short sides**

		U35	U40	GG U30	GG U40
Max. wind suction	[N/m ²]	2400	2400	2400	2400
Max. snow pressure	[N/m ²]	2400	2400	2400	2400

according to IEC/EN 61215 2nd Ed.

Landscape orientation



Fastening area: **long sides**

		U35	U40	GG U30	GG U40
Max. wind suction	[N/m ²]	2400	5400	5400	5400
Max. snow pressure	[N/m ²]	2400	5400	5400	5400

according to IEC/EN 61215 2nd Ed.